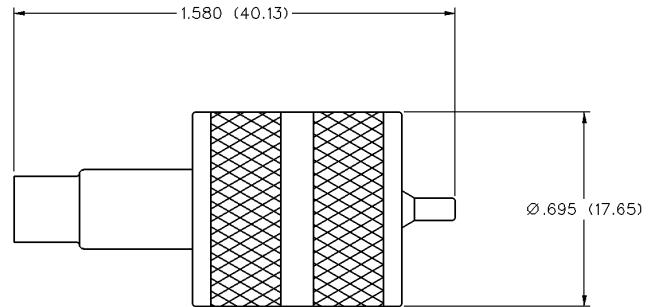
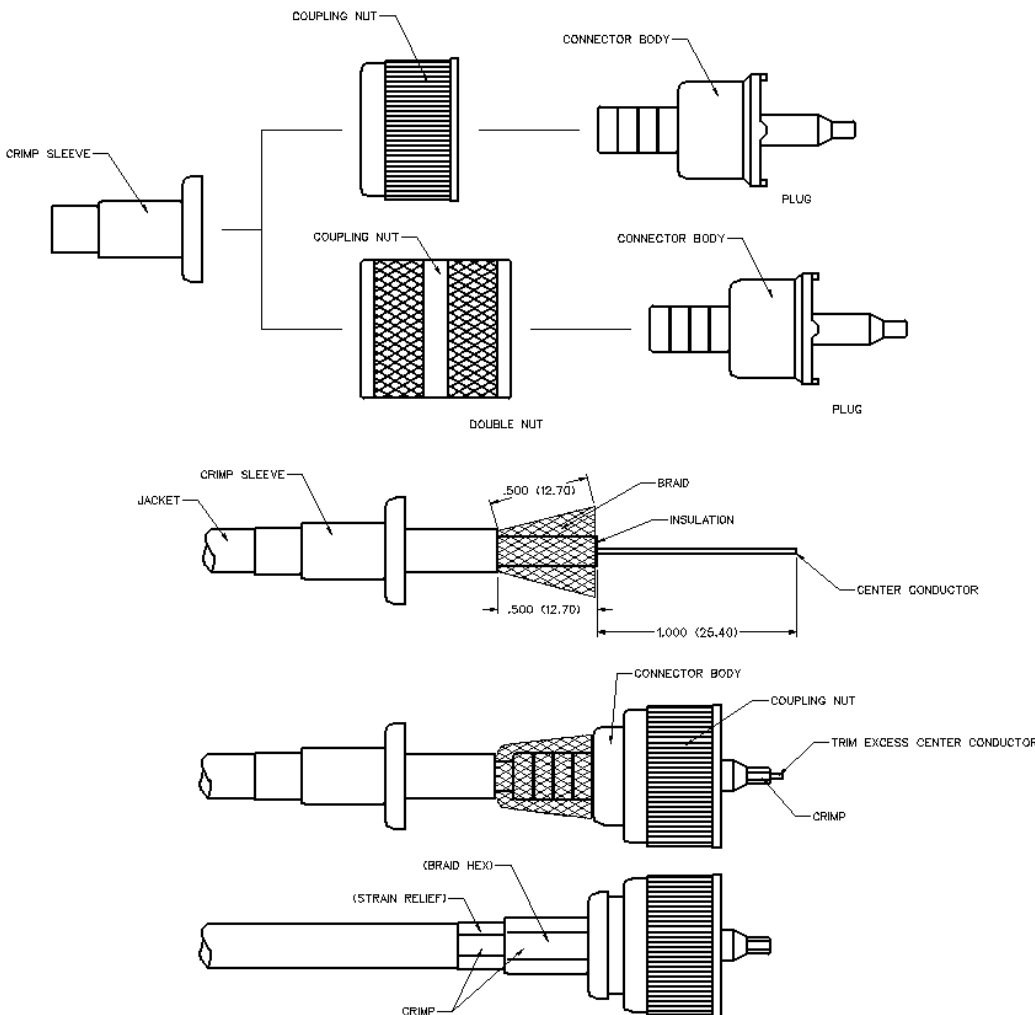


UHF Straight Crimp Type Plug - Crimp Contact, Double Nut



PART NUMBER	CABLE TYPE	WIRE GAUGE	WIRE DECIMAL	JACKET O.D.
CPL-259-18	RG-58	20	.0325 (0.83)	.185 (4.70)-.205 (5.21)



1. Identify connector parts. (3 piece parts)
 Except CPL-259-10 (1 Piece)

2. Slide crimp sleeve over cable and strip cable to dimensions shown. Do not nick center conductor during strip operations. (CPL-259-10: trim braid and insulation to .300 (7.62).

3. Slide coupling nut onto the connector body. Then slide the connector body over cable so that the center conductor extends through the front of the contact. Crimp the contact as shown. Trim away the center conductor extending past the contact. (CPL-259-10: fold braid onto jacket before sliding connector body onto cable.)

4. Arrange braid uniformly around crimp stem. Slide crimp sleeve over braid and crimp securely using recommended crimp tool.

Part Number	Cable	Wire Gauge	Wire Decimal	Jacket O.D.	Crimp (Braid Hex)	Crimp (Strain Relief)	Contact Crimp Hex	Recommended Crimp Tool
CPL-259-18	RG-58	20	.0325	.185 (4.07)-.205 (5.21)	.255 (6.48)	.213 (5.41)	.065 (1.65)	24-307

UHF Connectors

Specifications



INCHES (MILLIMETERS)
CUSTOMER DRAWINGS AVAILABLE UPON REQUEST

The UHF connectors are low cost, general purpose units designed for low frequency system applications. These commercial quality connectors are equipped with threaded coupling interfaces for secure and reliable connections. The Standard UHF and Mini UHF connectors are not intermateable.

STANDARD UHF

Electrical Characteristics

Impedance: Nonconstant

Frequency range: 0-500 MHz

Working voltage: 500 volts RMS at sea level

Dielectric withstanding voltage: 1500 volts RMS at sea level

Insulation resistance: 5000 megohms minimum

Environmental Characteristics

Recommended temperature range: -55°C to +85°C

Mechanical Characteristics

Durability: 500 cycles

Cable retention: 20 lbs., RG-58 C/U cable

Materials

Body and coupling nut: Zinc or brass

Contact: Beryllium copper or brass

Crimp Sleeve: Brass

Insulator: Delrin®

Plating: Body - Nickel

Crimp sleeve - Nickel

Contact - Gold or nickel